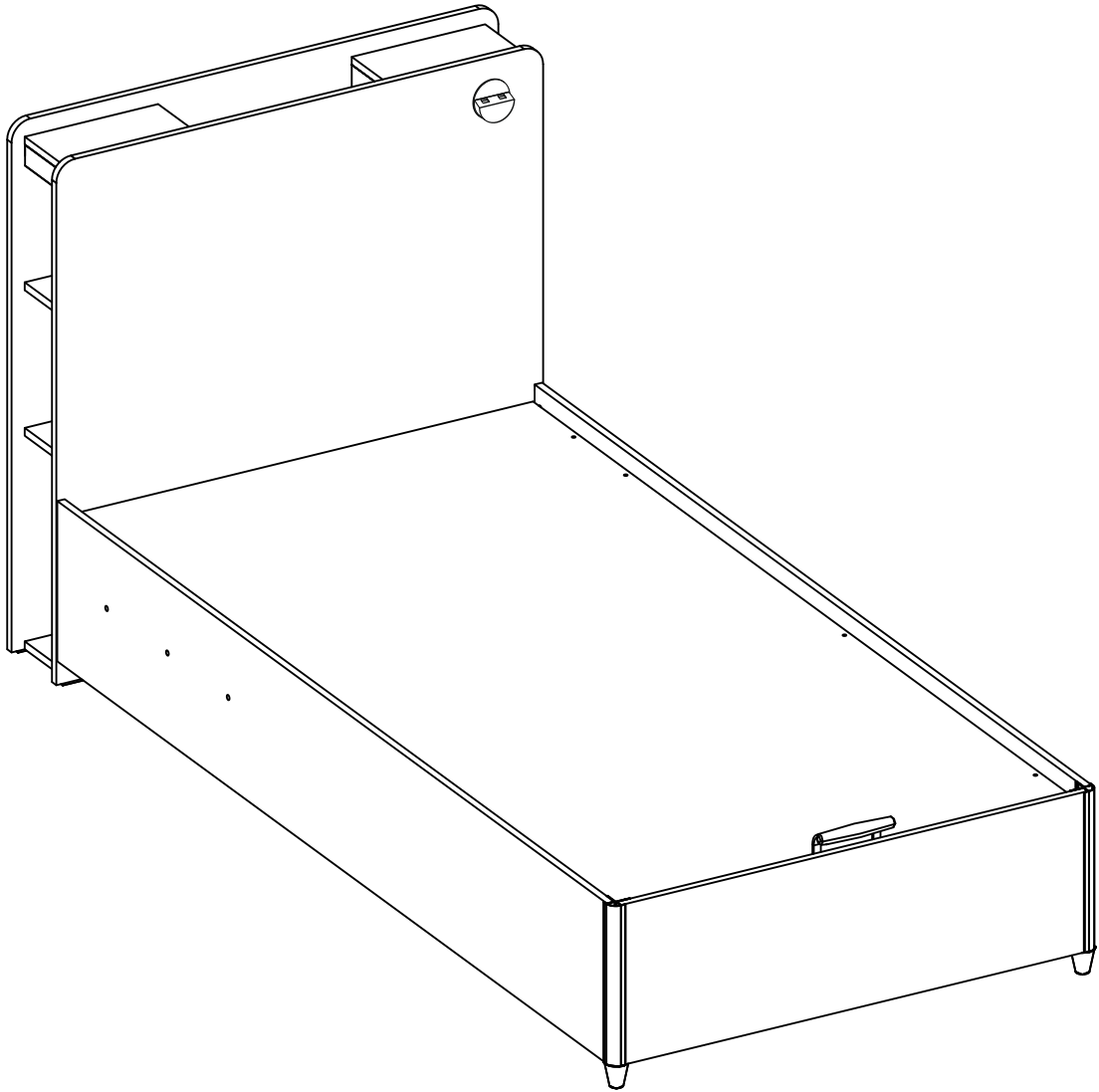
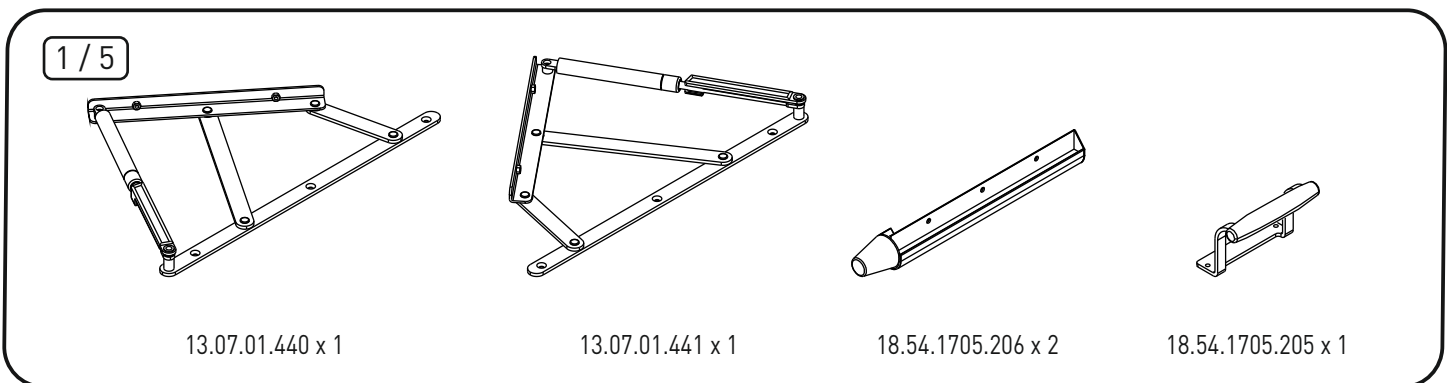
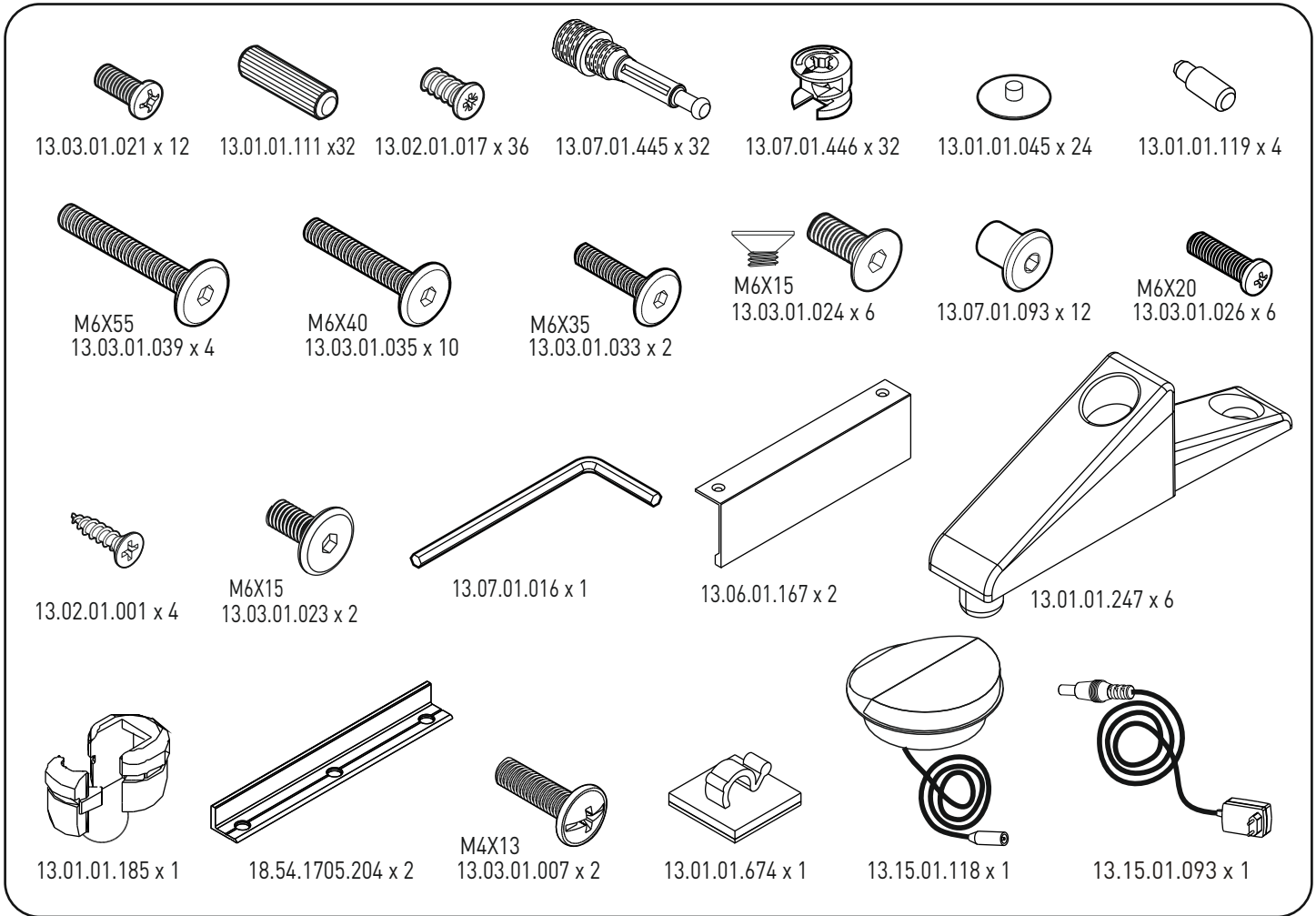
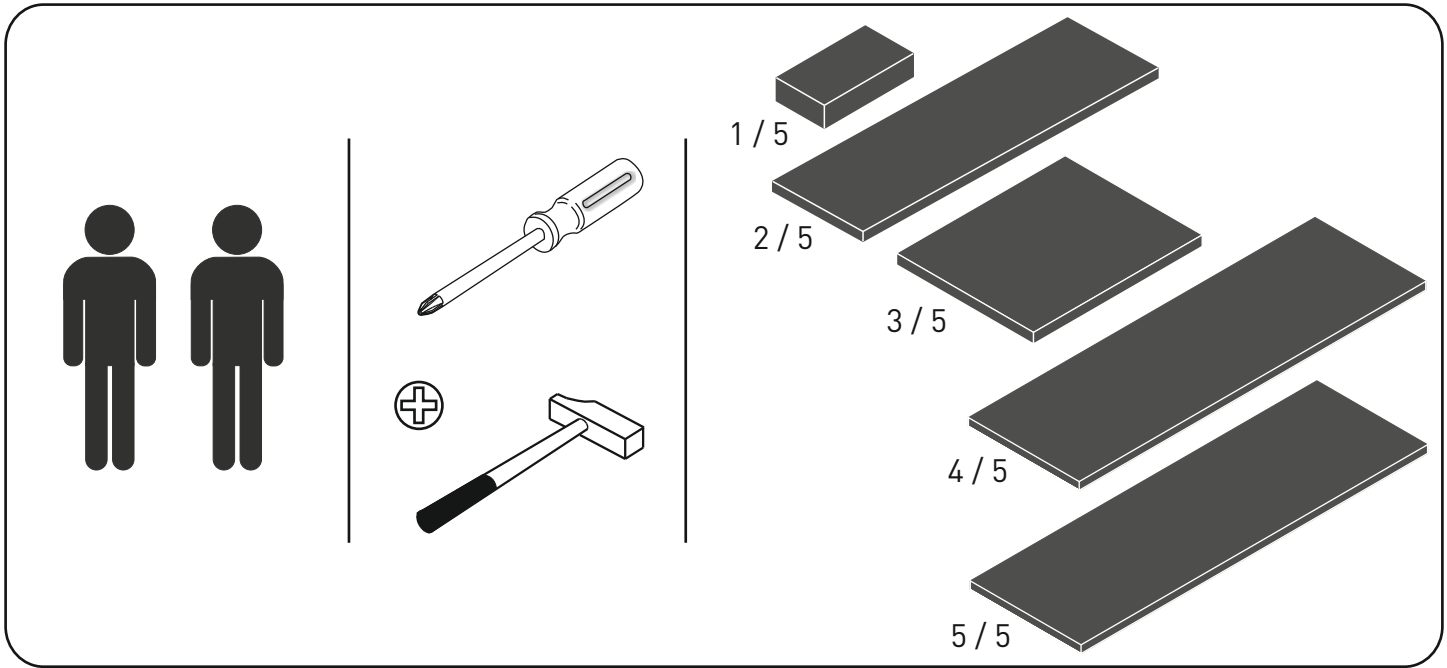
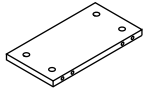


**20.54.1705.00**

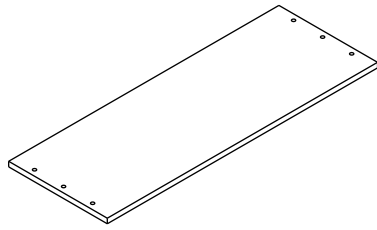




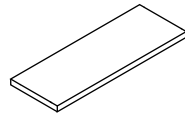
2/5



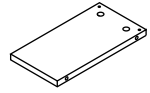
18.54.1705.008 x 2



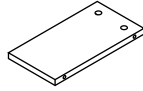
18.54.1705.003 x 1



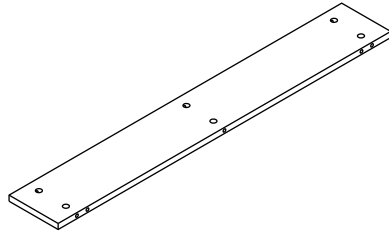
18.54.1705.009 x 1



18.54.1705.010 x 2

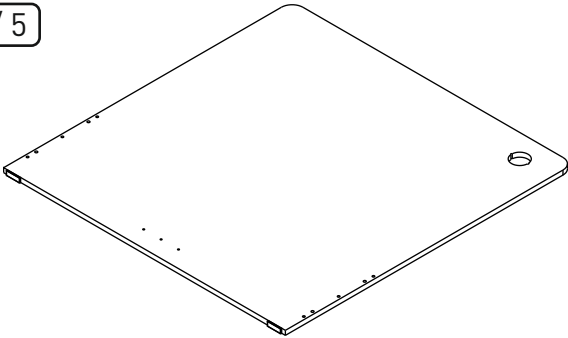


18.54.1705.011 x 4

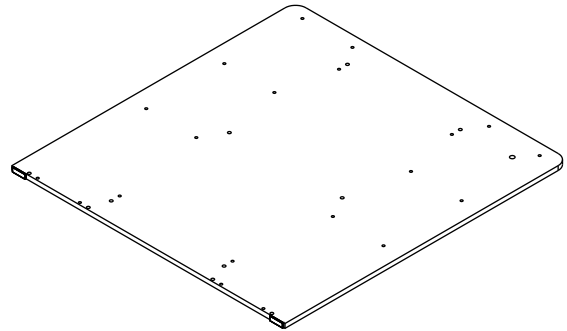


18.54.1705.012 x 2

3/5

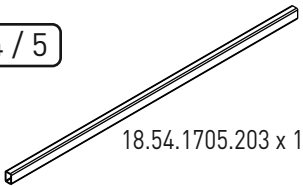


18.54.1705.006 x 1

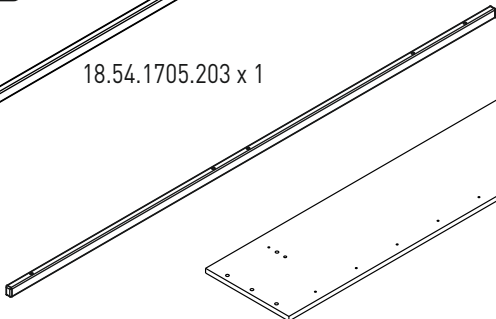


18.54.1705.007 x 1

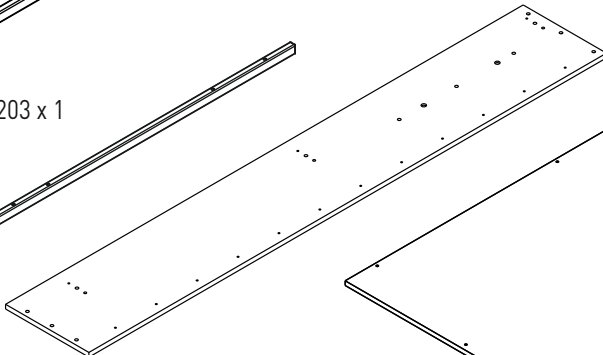
4/5



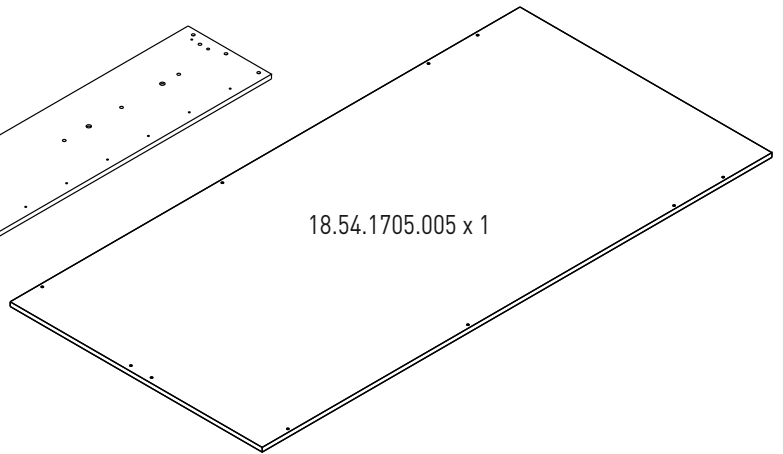
18.54.1705.203 x 1



18.54.1705.202 x 2

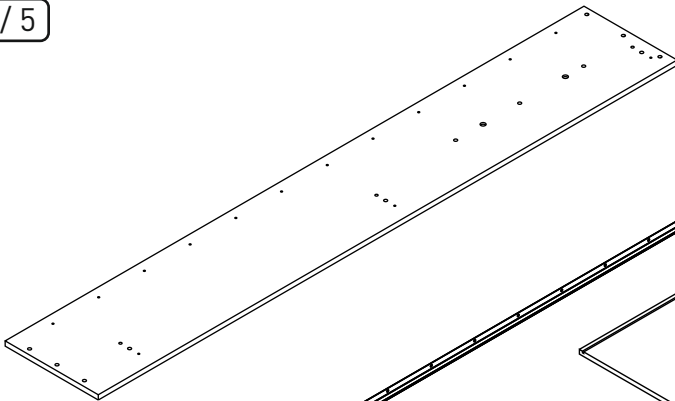


18.54.1705.001 x 1

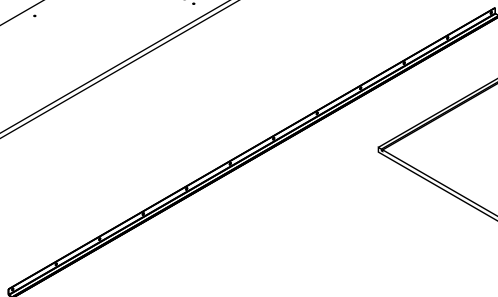


18.54.1705.005 x 1

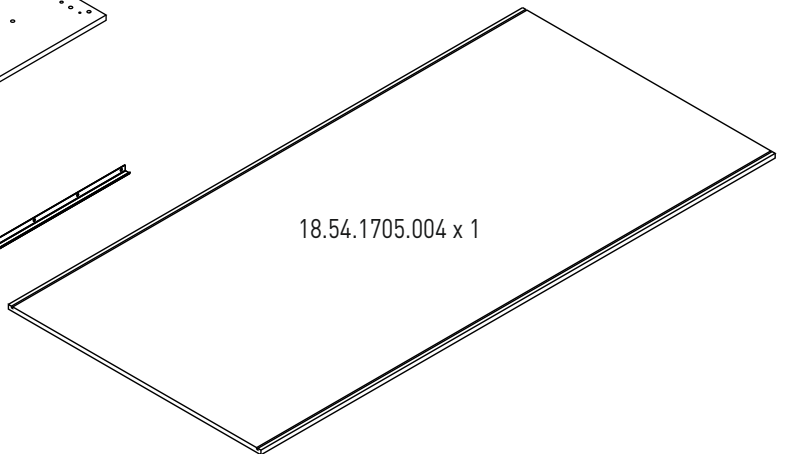
5/5



18.54.1705.002 x 1

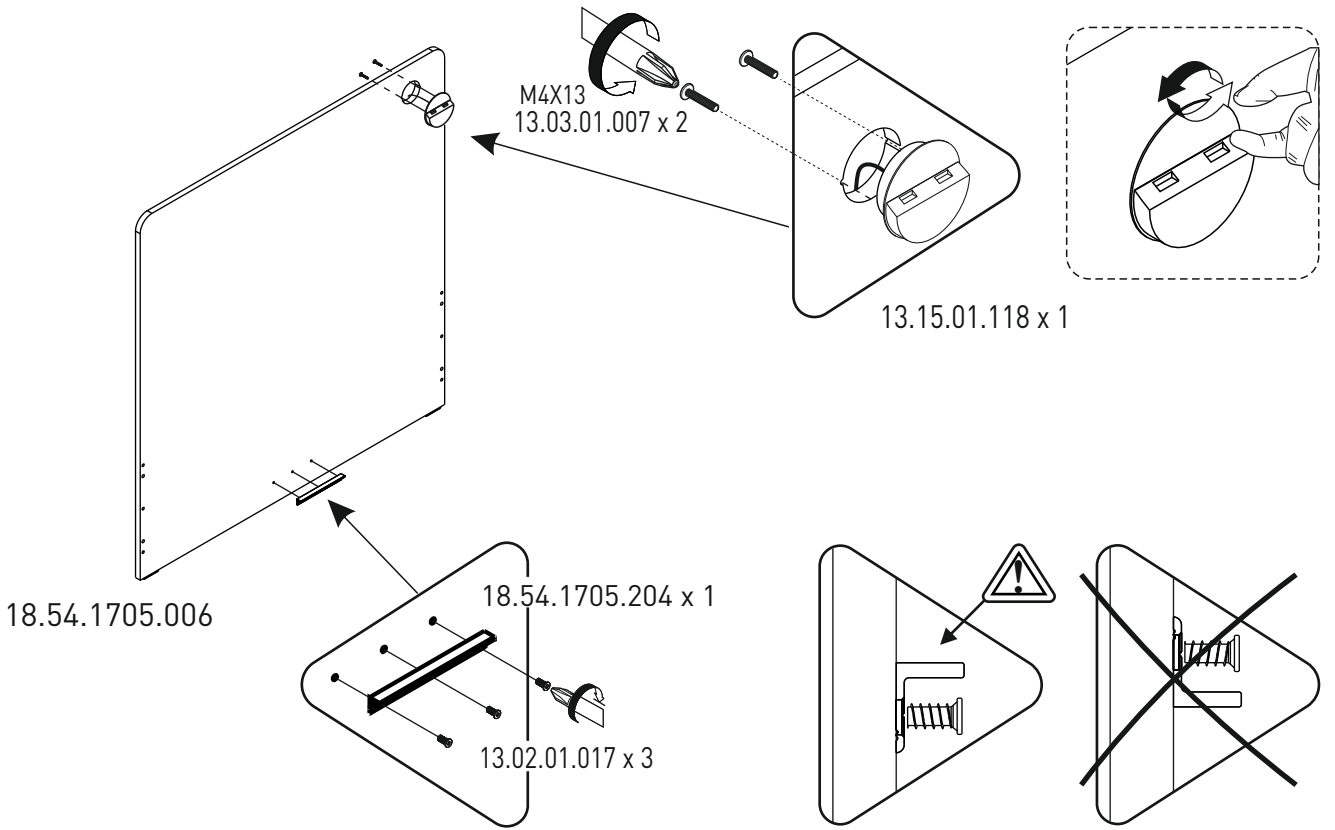


18.54.1705.201 x 2

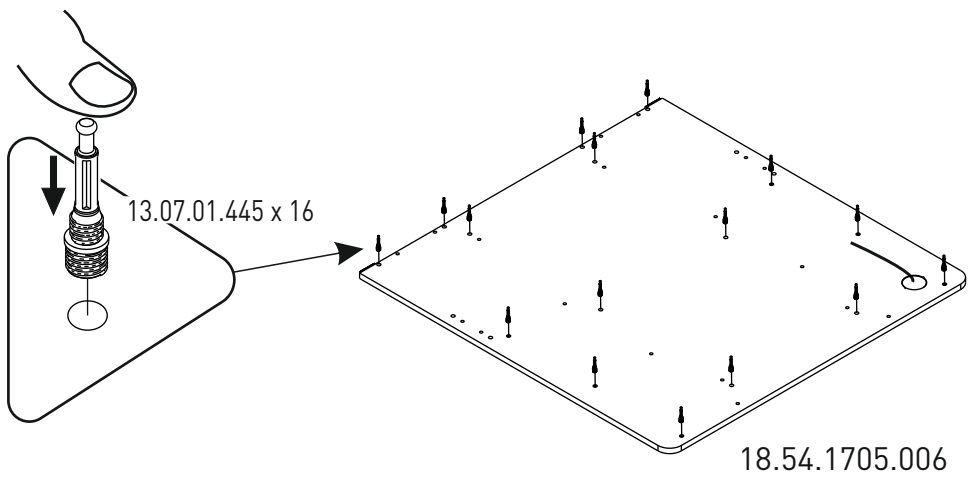


18.54.1705.004 x 1

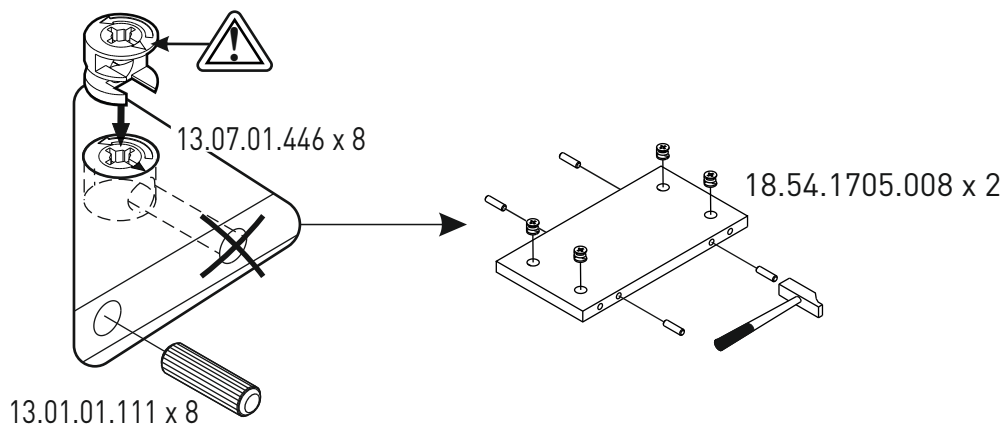
1



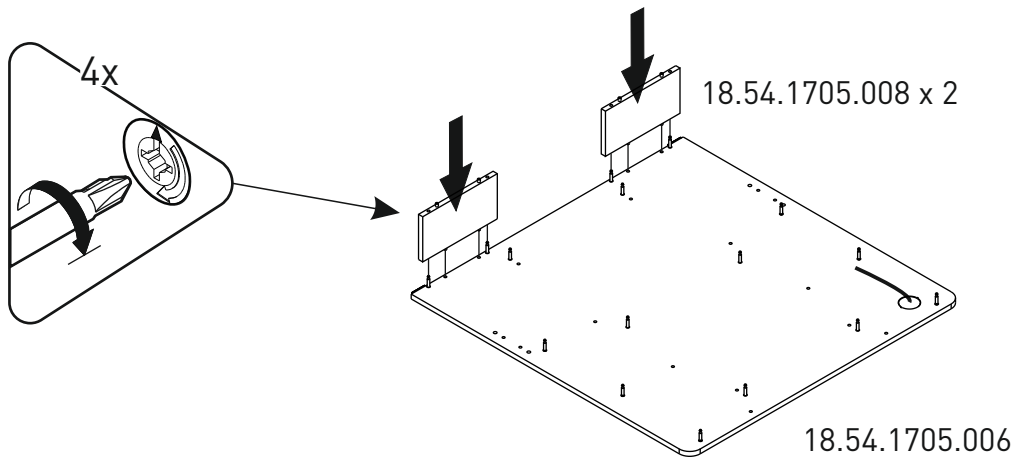
2



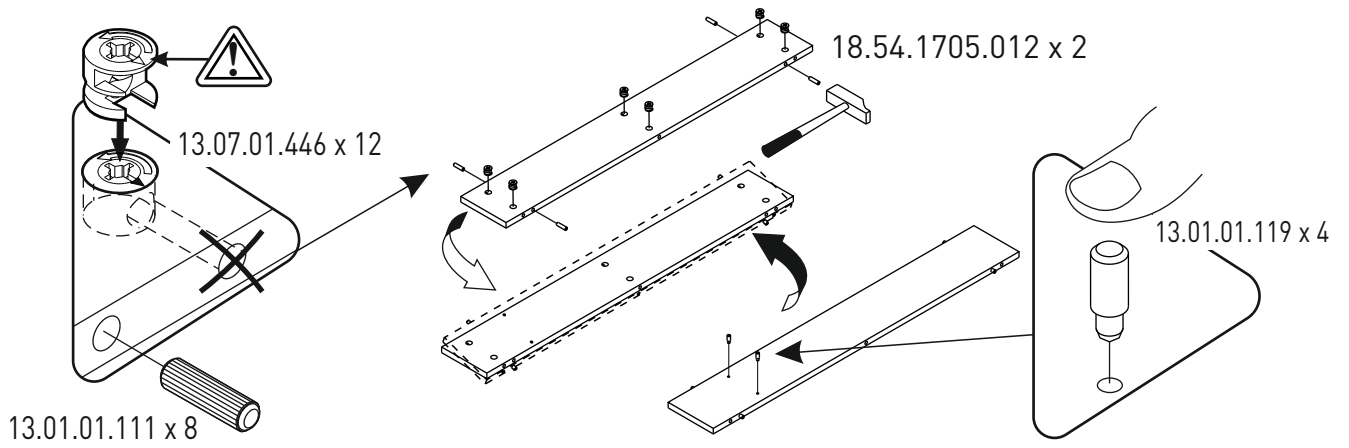
3



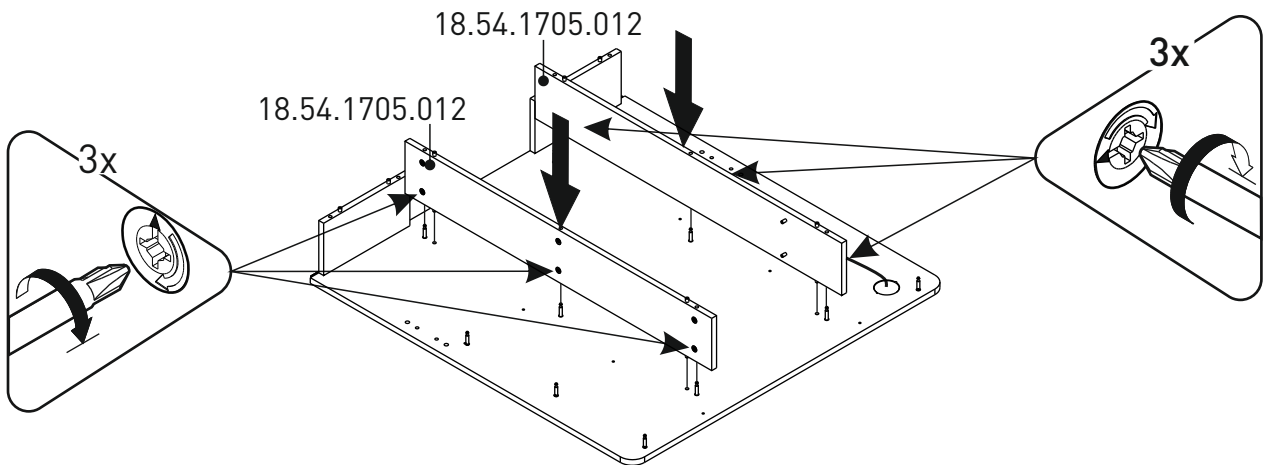
4



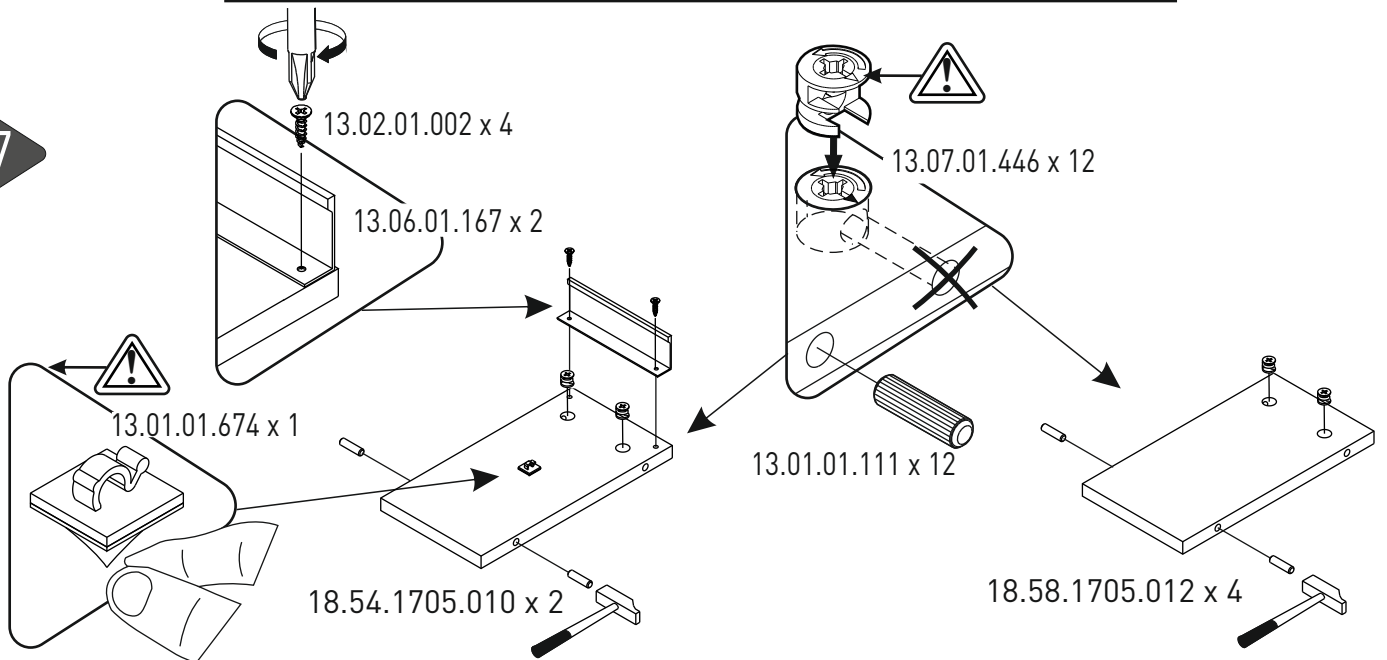
5



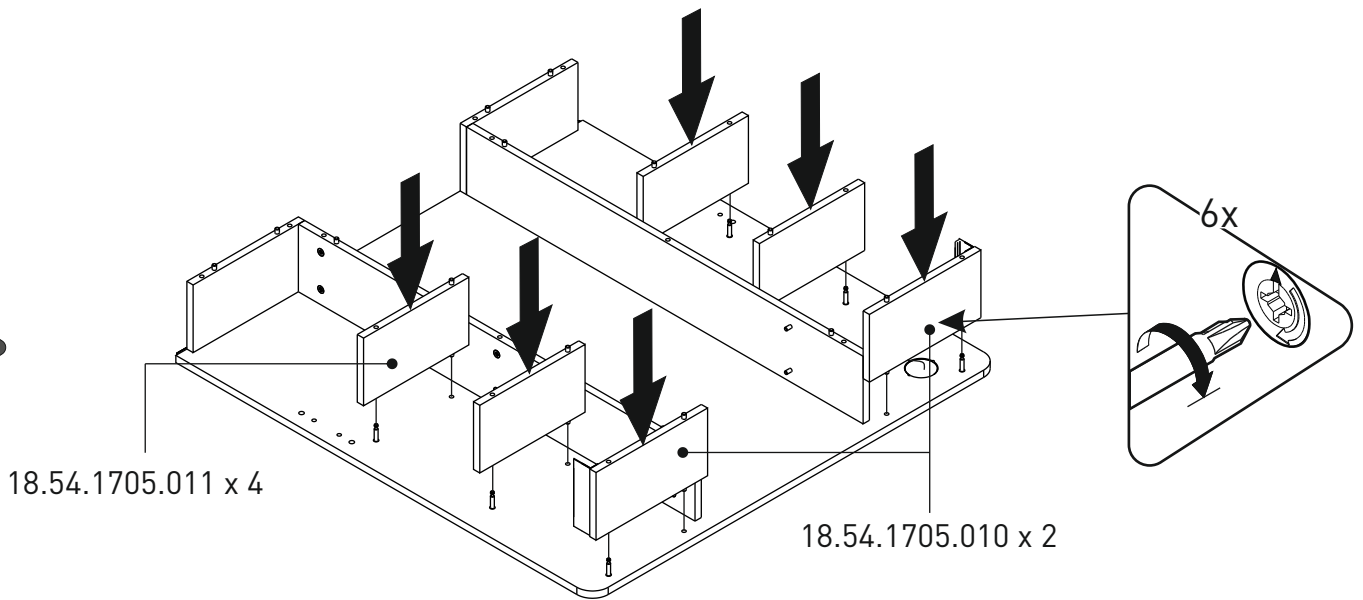
6



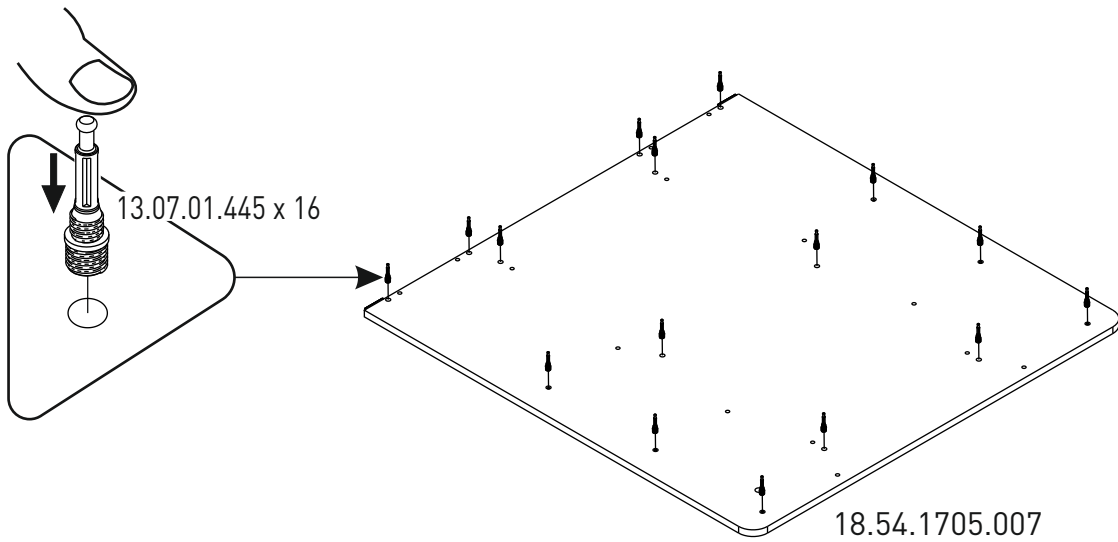
7



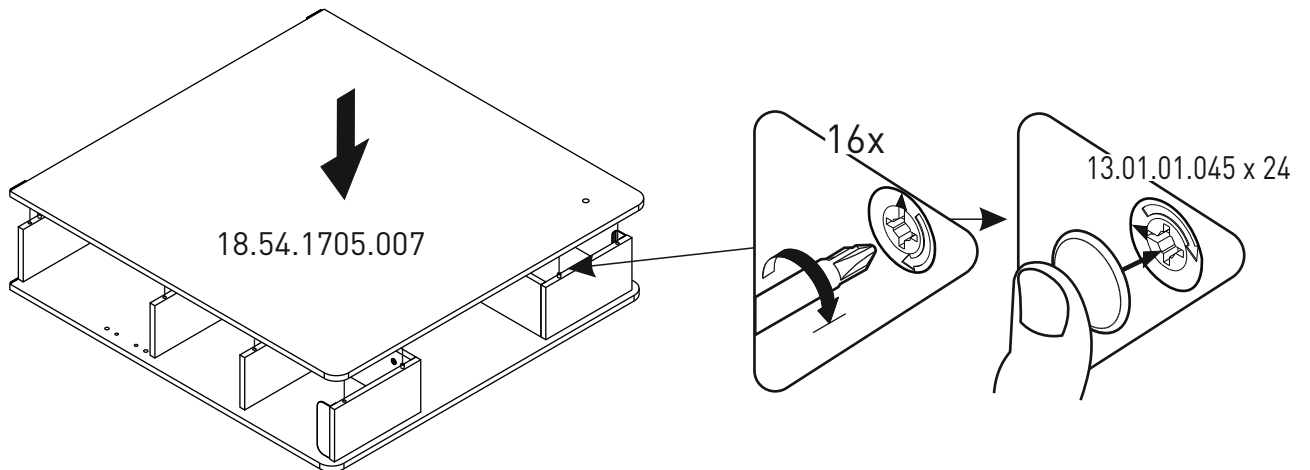
8

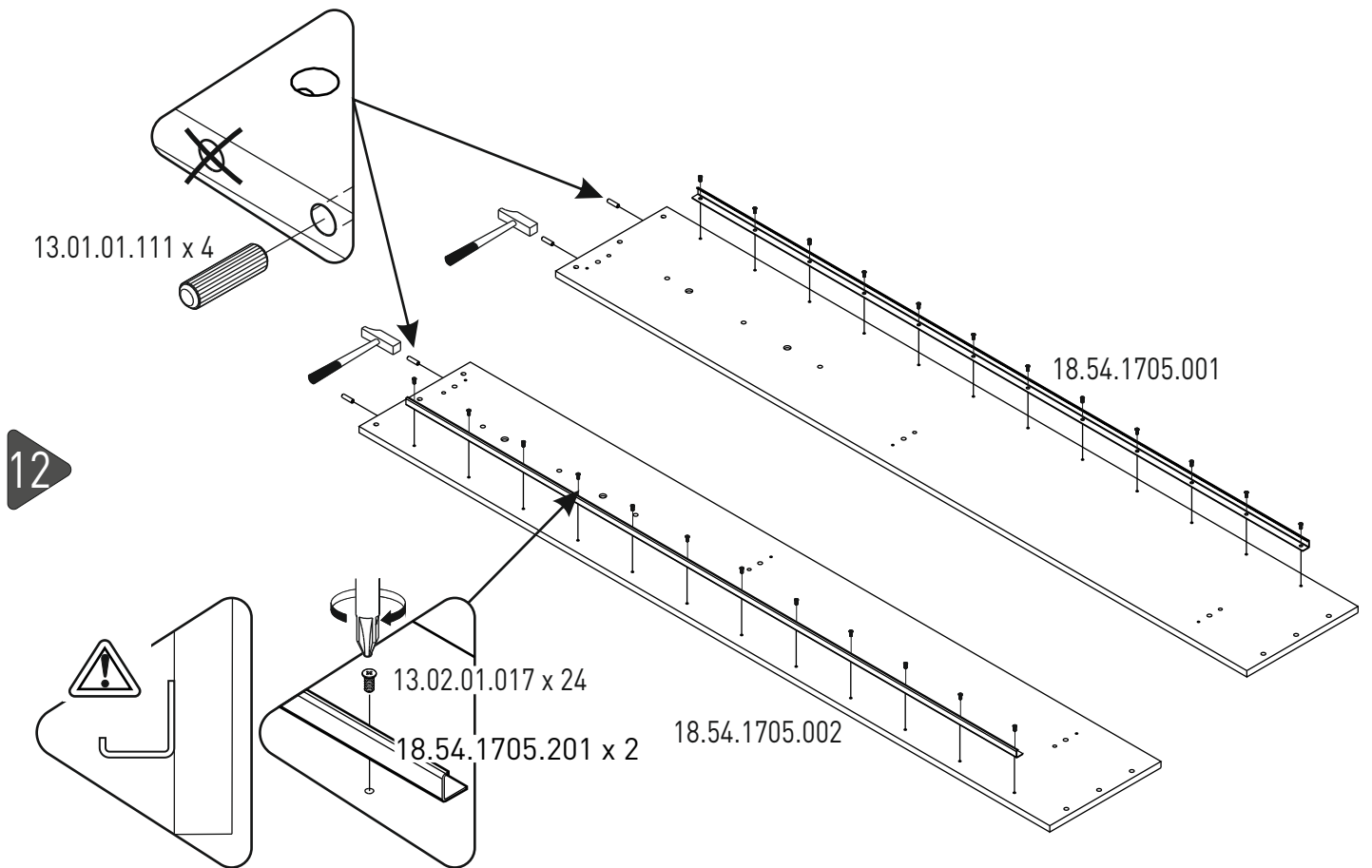
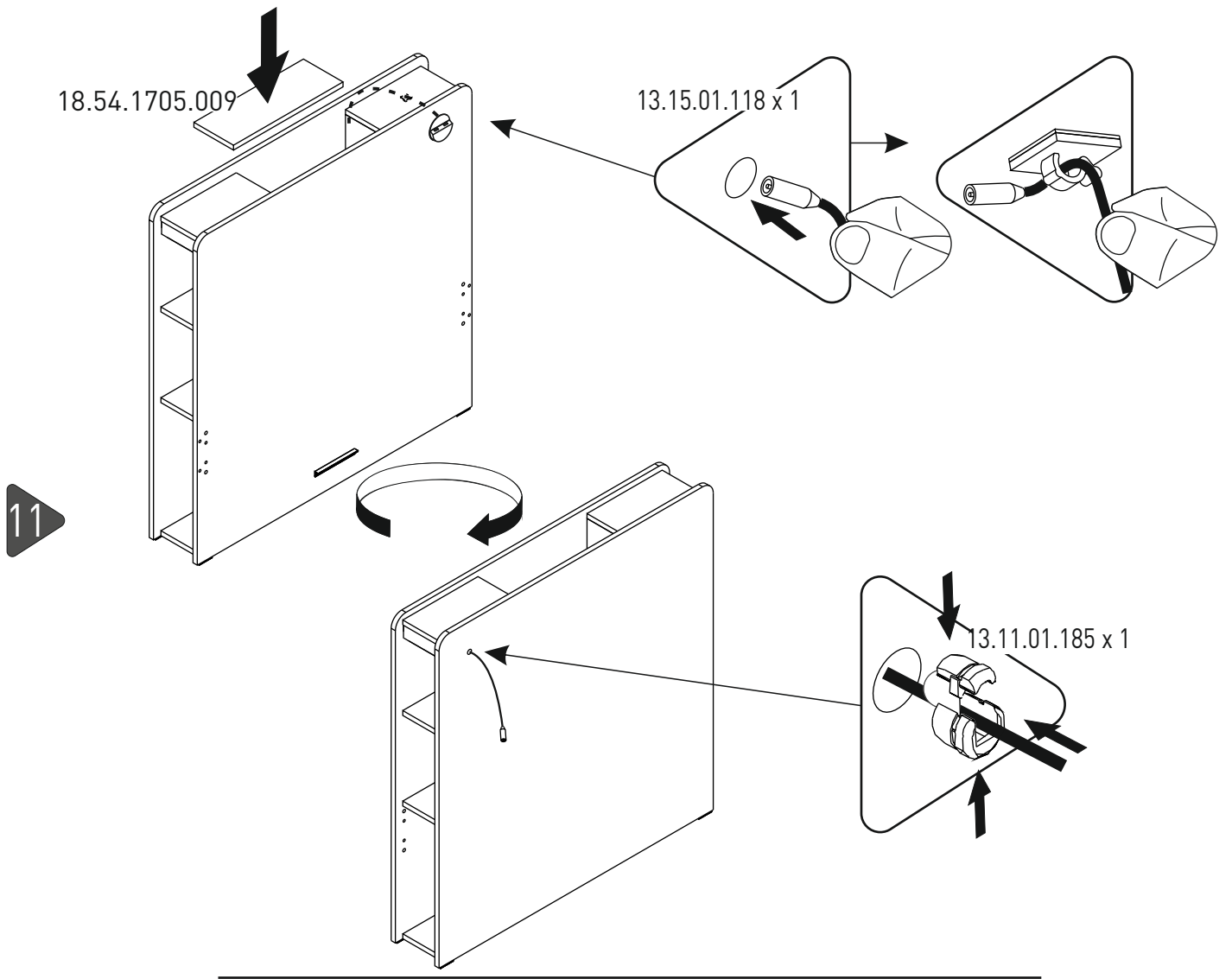


9

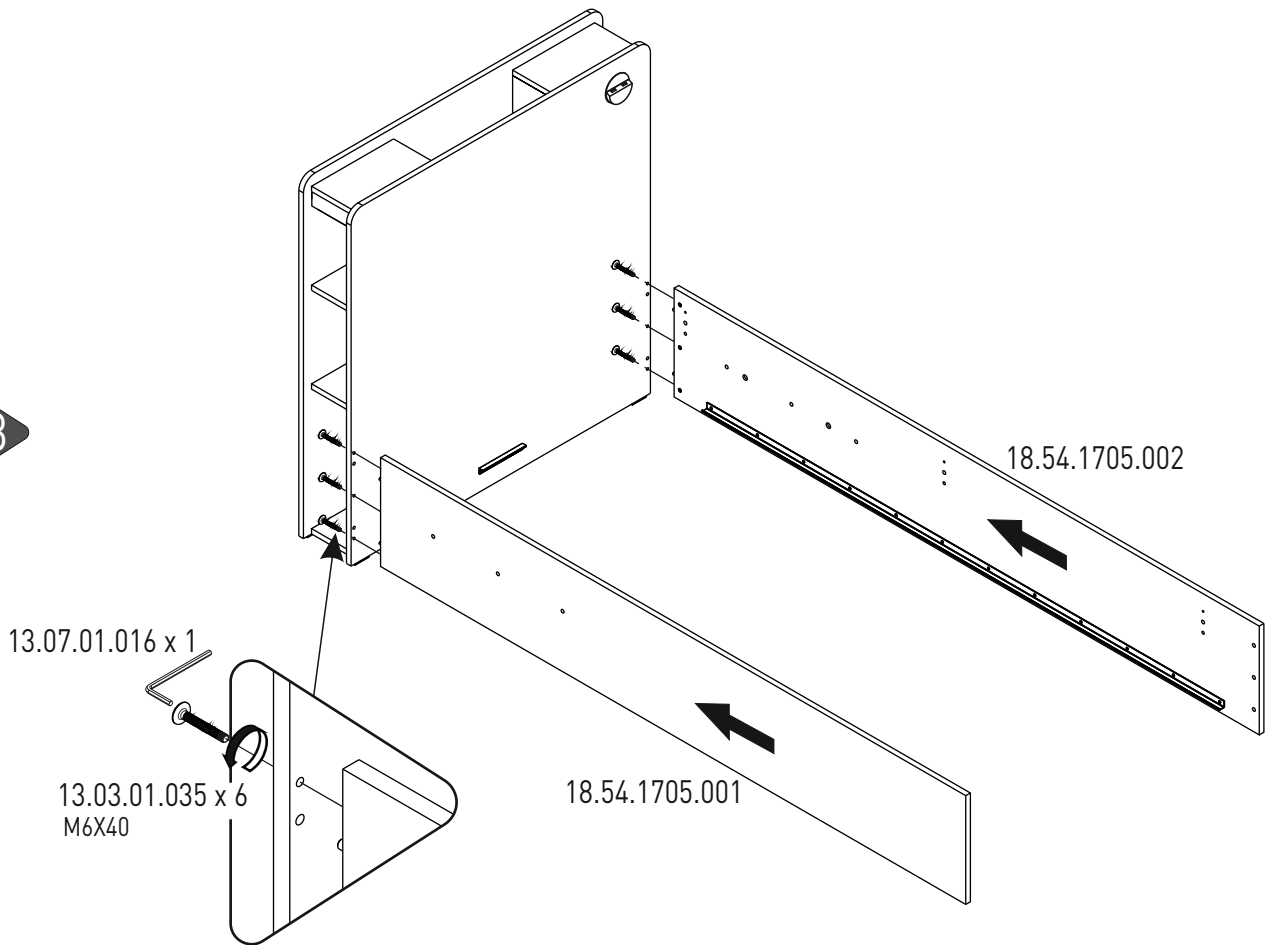


10

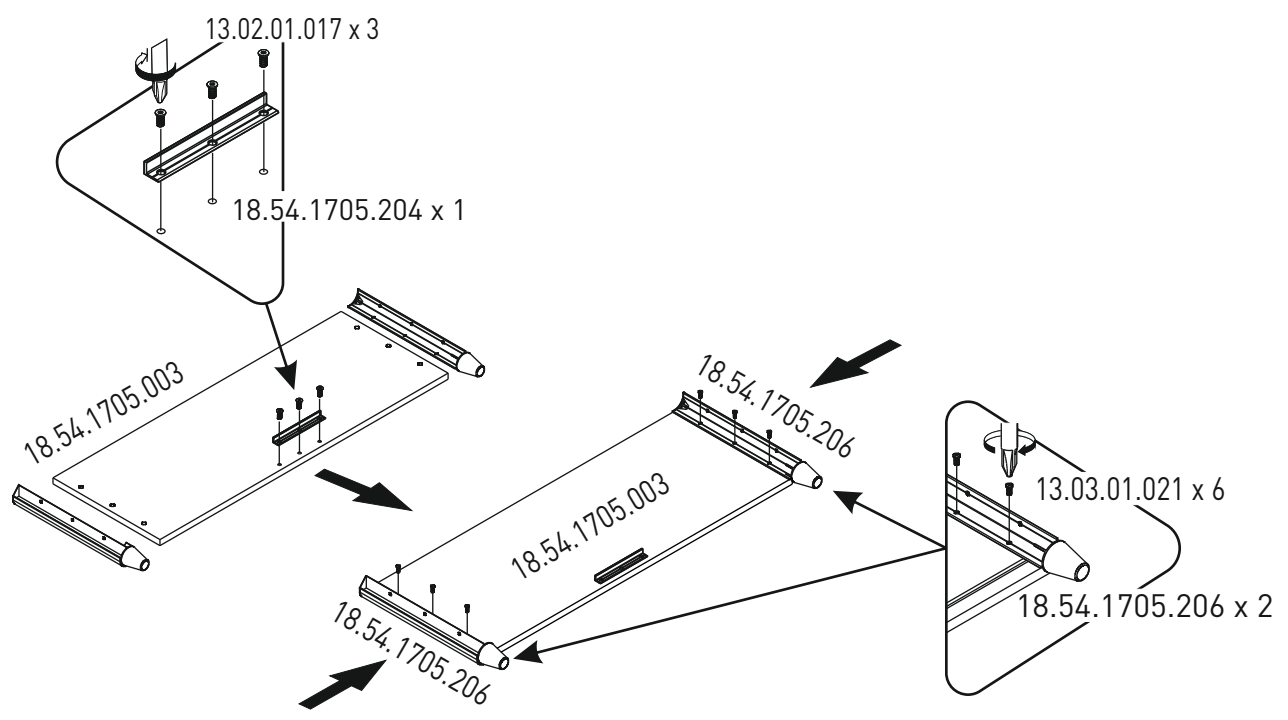




13

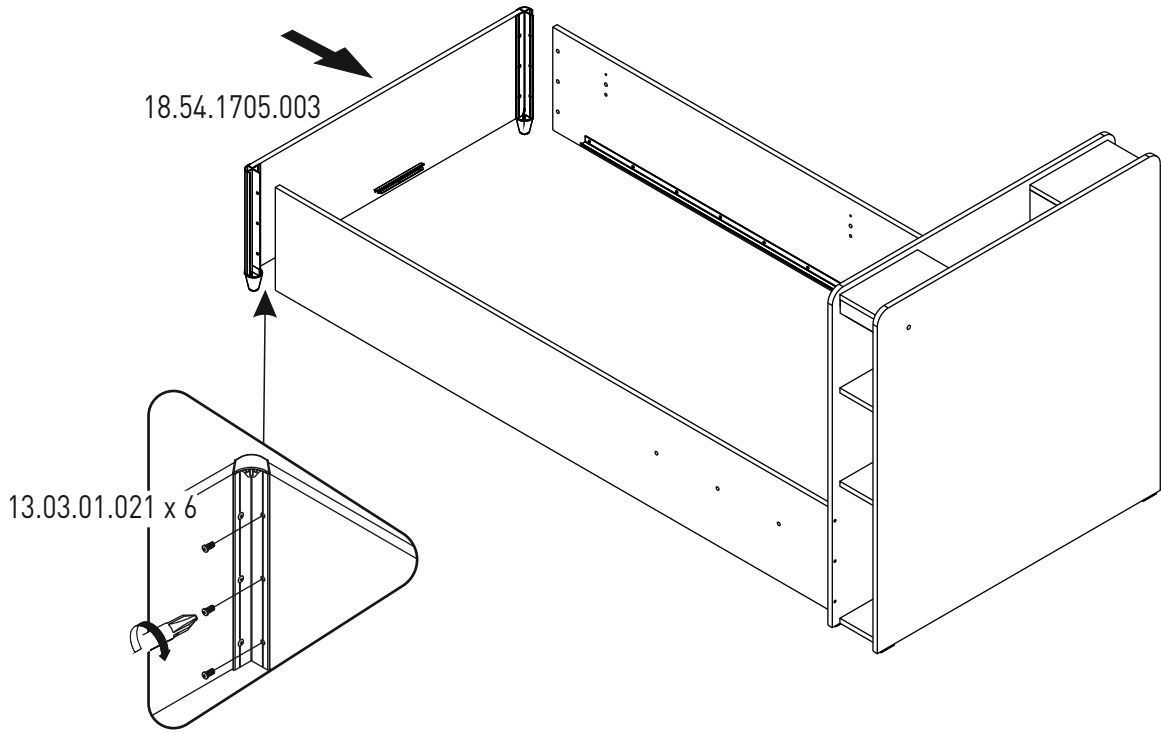


14

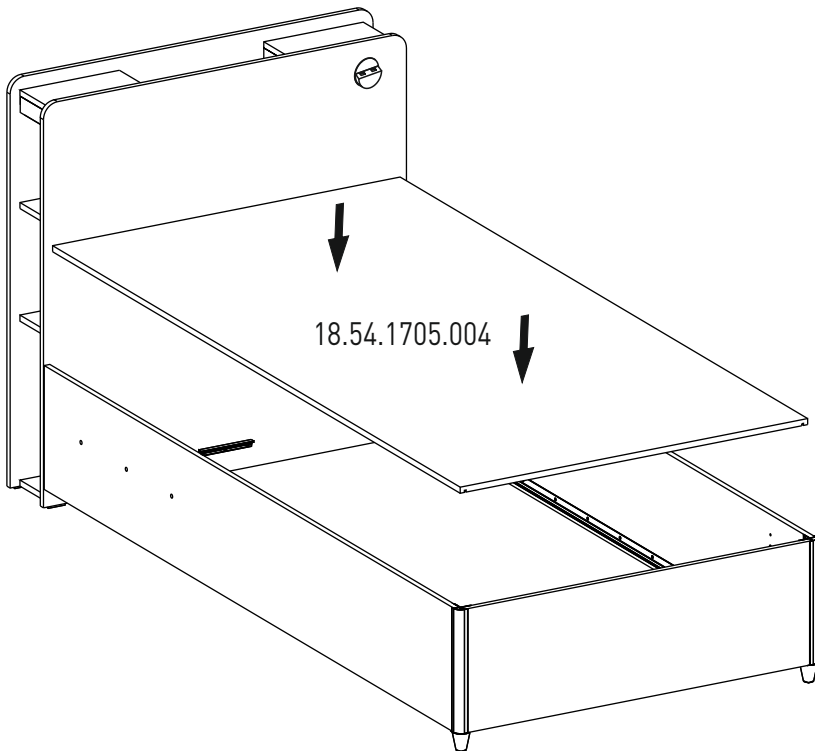




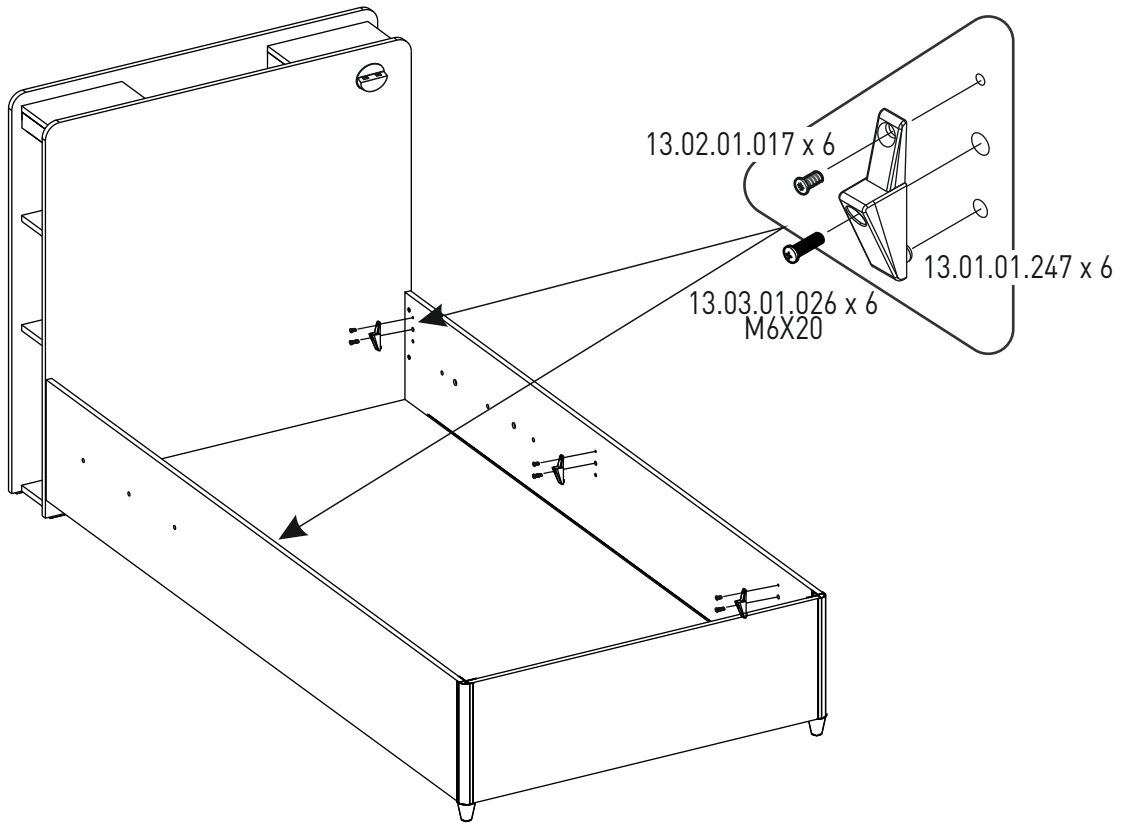
15



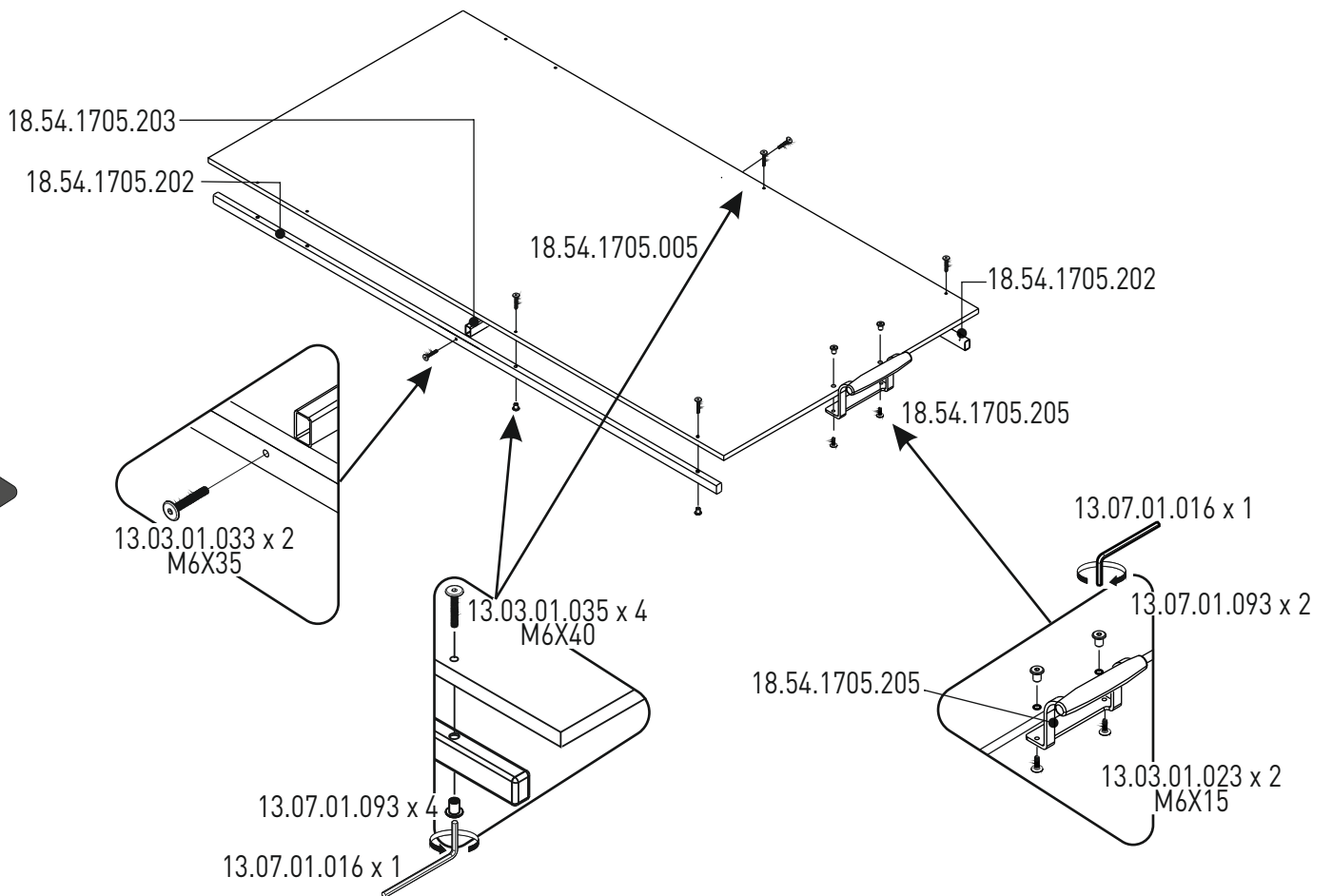
16



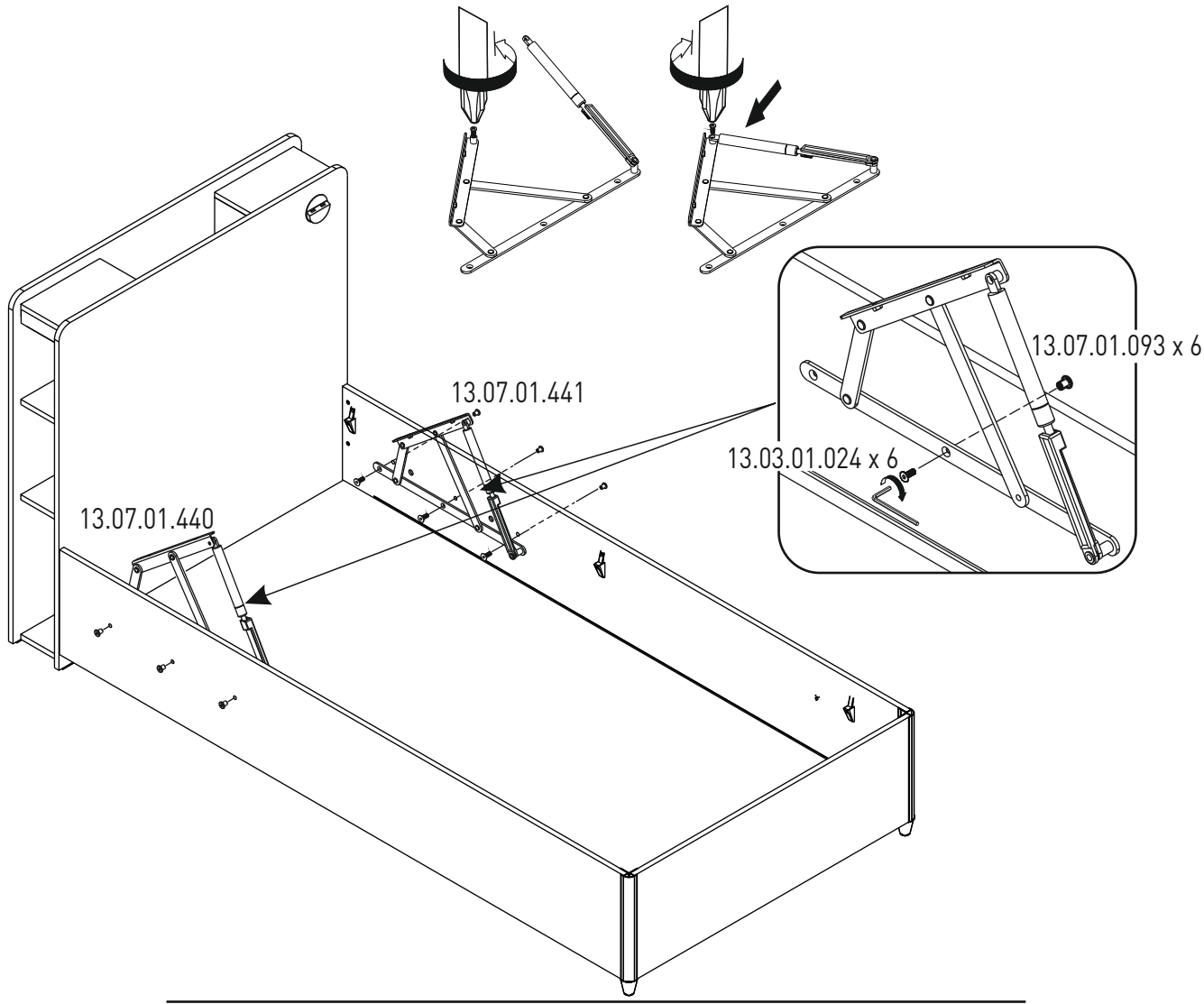
17



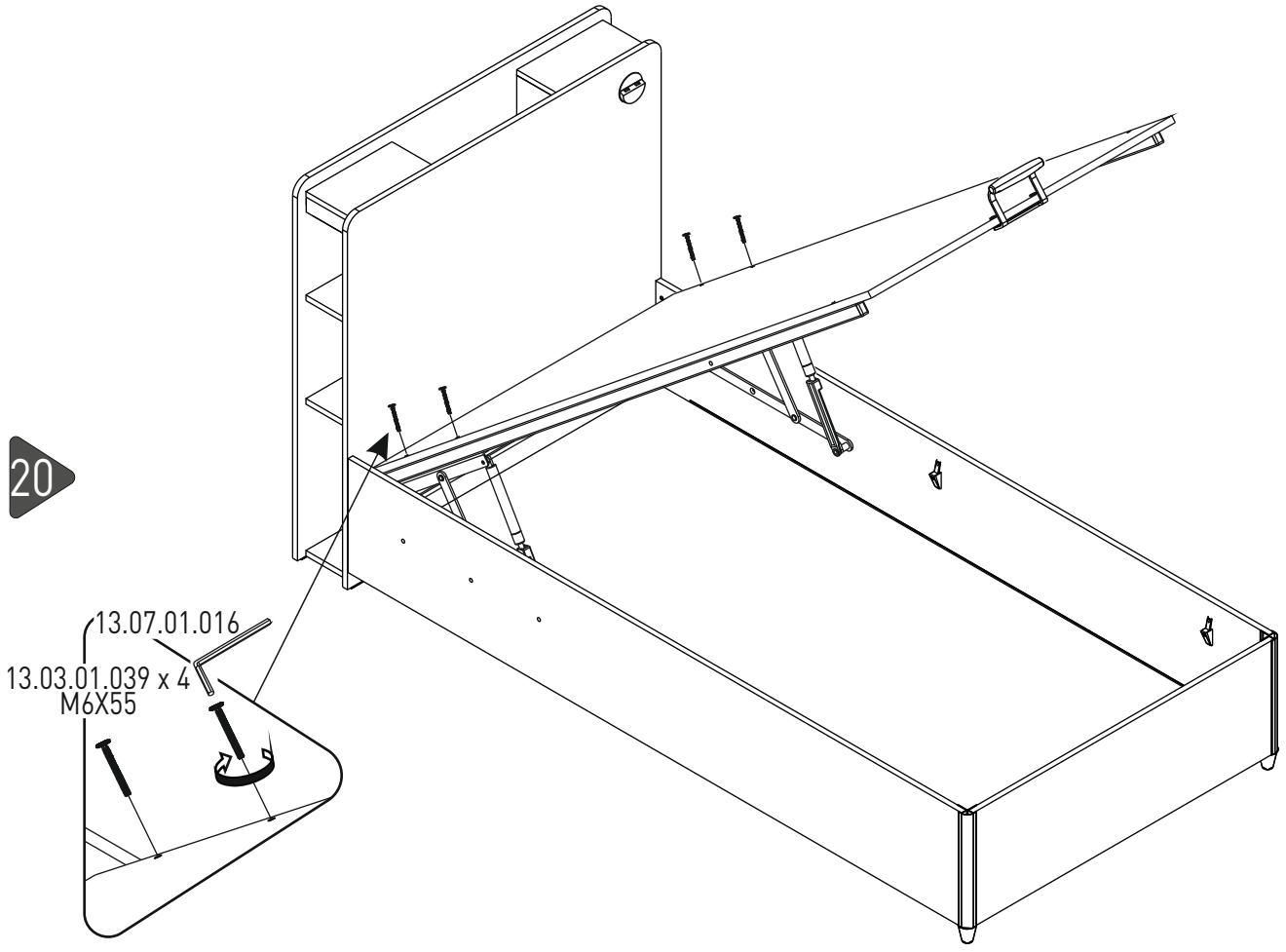
18



19



20



21

